



Pen Filling System

Double Reservoir filling system

This system allows a long writing autonomy and protection from accidental leakage of ink thanks to its two separate rooms.

Filling from the inkwell

- From the back end of the barrel, unscrew the blind cap (Fig.1).
- Pull the plunger completely (be careful, if the pen is full of ink may exit out of ink) and dip the section into the ink until the section is covered. Press the plunger downward with one single stroke.
- Count to five, allowing the filling of the pen (Fig.2).
- Remove the pen from the ink and screw the blind cap holding the nib pointing downwards (Fig.3).
- Remove the excess ink from the nib with blotting paper.
- The pen is ready for use with both reservoirs loaded.

Filling the small reservoir

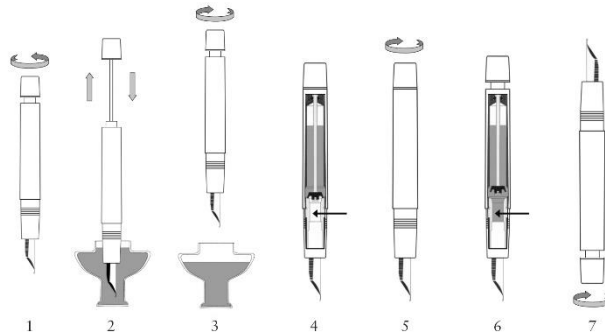
- By using the small tank runs out (Fig.4)
 - Unscrew the blind cap without removing the plunger with the nib pointing downwards (Fig.5)
 - Now reverse the nib point downward allowing the ink flow from the big reservoir into the small reservoir (Fig.6).
 - Screw the blind cap on.
 - The pen is again ready for use.
- This procedure can be repeated until the ink.

Important suggestion

If you need to mail your pen: remove the ink from the small reservoir by unscrewing the blind cap and allow the ink to flow back into the big reservoir holding the nib upwards (Fig.7).

By holding the pen in the same position screw on the blind cap again. Now you can see that the ink window is empty, in this way the ink will not come out from your pen.

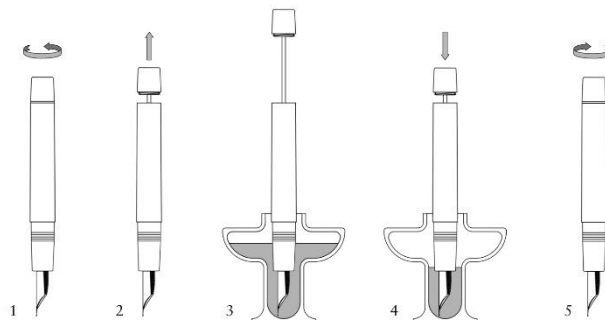
We recommend cleaning the writing set, nib and conductor, periodically by filling and emptying the pen continuously with water. This operation is essential if the pen is not used for a long time.



Power Filler Filling System

- The fountain pen is equipped with a plunger for filling directly from the inkwell. At the back end of the barrel, unscrew the blind cap (Fig.1).
- Pull the rod all the way out (Fig.2). Be careful if the pen is filled could come out a little bit of ink.
- Submerge the nib into the ink until the front end of the grip section (Fig.3).
- Depress the plunger downward with one single stroke (Fig.4).
- Count to five slowly, allowing the pen to fill and then remove from the ink. Screw the blind cap back into the barrel end (Fig.5).

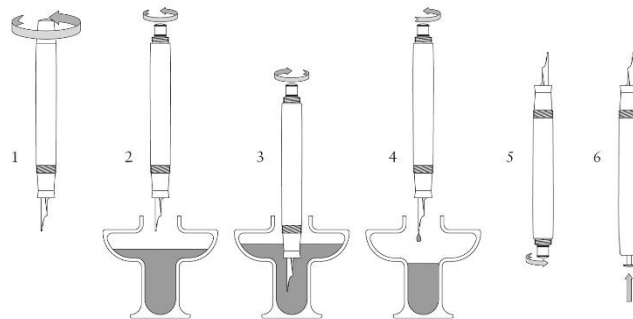
We recommend cleaning the writing set, nib and conductor, periodically by filling and emptying the pen continuously with water. This operation is essential if the pen is not used for a long time.



Piston Filler and Pull & Turn Filling System

This fountain pen is complete with plunger system to be filled directly from the inkwell.

- Unscrew the blind cap anti-clockwise giving access to the plunger (Fig.1).
- Turn the plunger anti-clockwise to empty the reservoir (Fig.2).
- Fill in the reservoir clockwise by holding the pen completely plunged inside the ink (Fig.3).
- Reverse one/two ink drops inside the bottle, unscrewing the plunger slightly (Fig.4).
- Complete the filling clockwise by holding the nib up, by screwing the plunger (Fig.5).
- Dry the nib and the conductor with the blotting paper.
- *The Pull & Turn variant* does not have a cap to unscrew, but a plunger which must be removed to allow the charge and for emptying (Fig.6).
- After the filling procedure, the plunger must be pressed to return it to its original position.



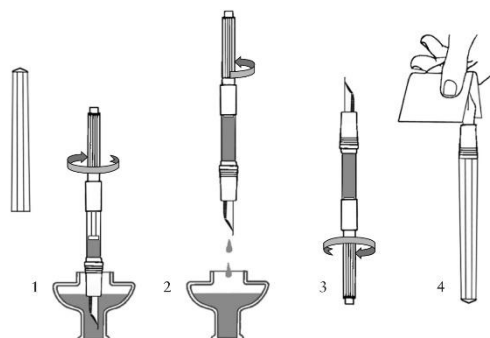
Converter Filling System

The filling system consists of a refillable cartridge with a small piston mechanism.

The converter can also be removed and replaced by a simple cartridge.

- Unscrew the cap from the barrel and dip it in the ink to completely submerge the nib (Fig.1).
- Turn the converter head clockwise to fill the pen, then pour one/two drops on the ink bottle (Fig.2).
- Holding the nib pointing upwards, complete filling by screwing the plunger (Fig.3).
- Remove the nib from the ink and clean it and screw the cap on the barrel (Fig.4).

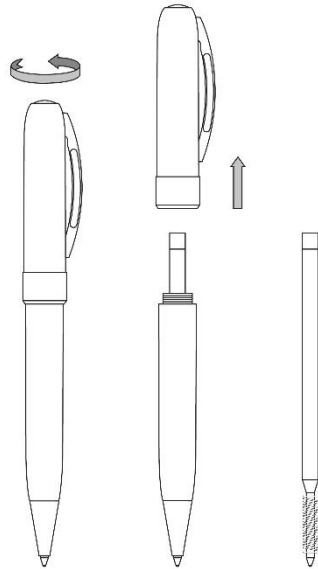
We recommend cleaning the writing set, nib and conductor, periodically by filling and emptying the pen continuously with water. This operation is essential if the pen is not used for a long time.



Ballpoint

When replacing the refill please be careful don't remove or lose the spring inside the ballpoint.

In all its instruments Visconti uses standard size refills for easy replacement.



Roller Ball

A roller is a ballpoint tipped refill with special ink that allows smooth writing.

Normally rollers required a cap to prevent it drying out. Visconti uses a “safety” refill that allows the pen to be sometime uncapped for a length of time.

